

Instructions for wear checks of play equipment

The equipment must be checked for correct operation, especially the points listed below:

Proof of maintenance

Playground

Date of installation

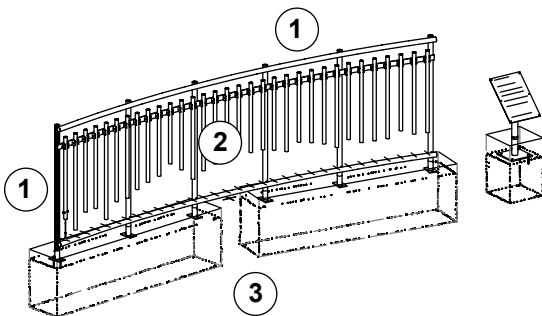
Checks depend on the type of equipment. Any equipment with moving parts must be checked at least twice a year, static equipment twice a year.

Intervals for maintenance work and checks generally depend on

- location
- kind of use
- frequency of use
- possible vandalism

For more details see also "General instructions for maintenance of playgrounds".

Melodic Fence
Order No. 10.58100



Mechanism

1. Check that the tubes and ropes are securely connected, retension if necessary.

Stainless steel

2. Clean with stainless steel spray (www.kim-tec.de) using a clean cloth.

Structural stability

3. Check anchoring to the ground once a year.

Special notes, e.g. for repairs

Repair not carried out, it is still possible to play on equipment

Repair not carried out, equipment is taken out of action

All work carried out, everything is in order

Maintenance carried out by:

..... Date