



Order No. 5.20910 Damming Wedge



Order No. 5.20900 Dam of Wood

Play value

Water play installations become even more attractive when they help to experience water in different ways. Children particularly enjoy damming water. On one hand, they are momentarily the „Master“ of the element water when stemming the flood water and on the other hand, they experience, through play, the water power when opening the lock of the dam.

Fundamental characteristics

- Different ways of damming and collecting water
- Incentive for playing: technical appearance

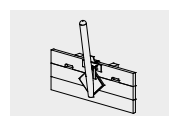
Recommended for

- Kindergarten children
- School children
- Water play areas without supervision

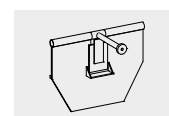


Order No.. 5.20905 Water Flap

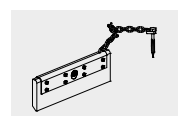
**Dam of Wood
Water Flap
Damming Wedge**



5.20900



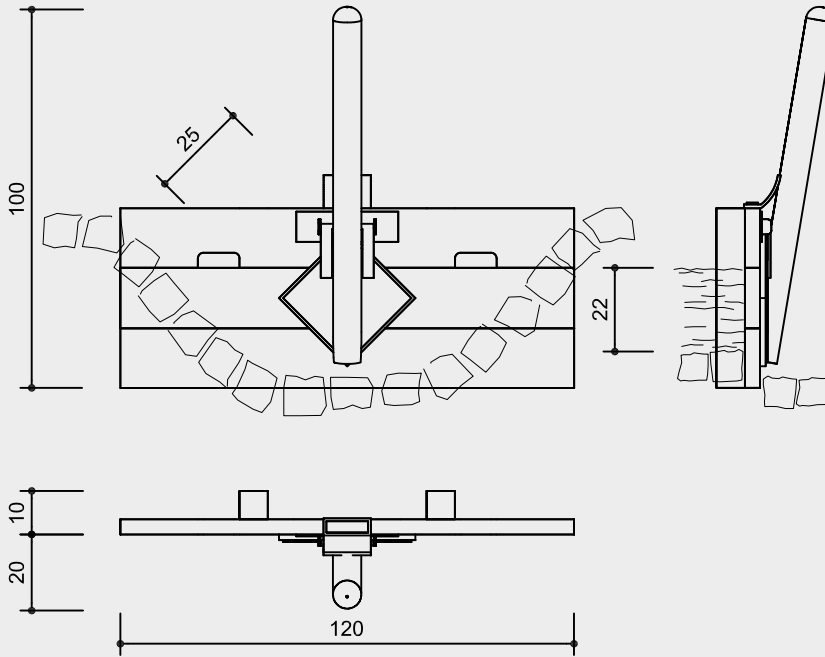
5.20905



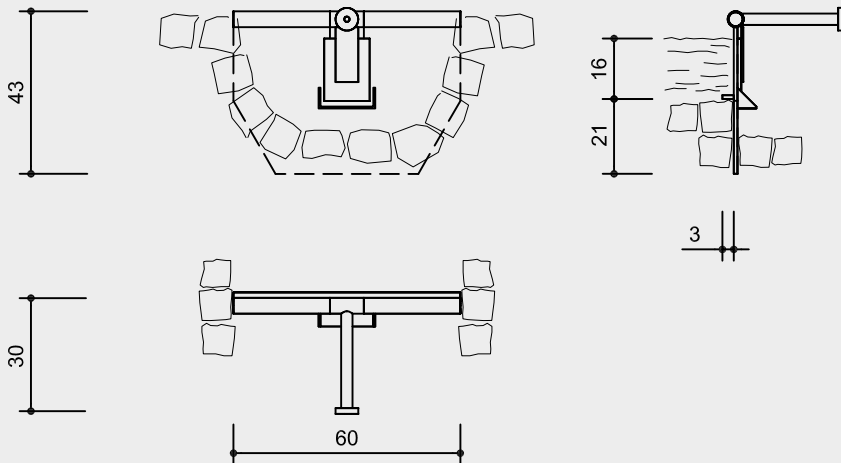
5.20910 / 5.20915

**Order No. 5.20900
Dam of Wood**

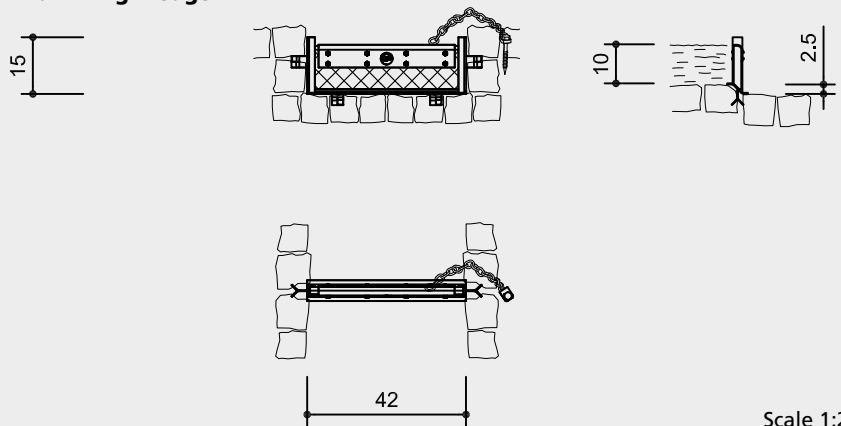
Safety distance →
Device dimensions ●
Functional distance —



**Order No. 5.20905
Water Flap**



**Order No. 5.20910
Damming Wedge**



Scale 1:20

Safety check according to DIN EN 1176

Technical information

Order No. 5.20900 Dam of Wood
Equipment made of larch

Tongue and groove
Tongue and groove planks made of 4 cm solid wood, highly resilient, no trickling of dust / sand, protection against direct rain



For more detailed explanation of the quality characteristics see price list.

Metal parts made of stainless steel, glass bead blasted
Seal made of 15 mm rubber plate, opening sealed with sealing tape

Order No. 5.20905 Water Flap
Equipment made of stainless steel, glass bead blasted
seal of 10 mm rubber plate

Order No. 5.20910 Damming Wedge
Damming wedge made of industrial rubber, holding device and guide frame made of stainless steel, glass bead blasted
chain made of stainless steel with swivel

Dimensions
(small deviations possible)

Order No. 5.20900 Dam of Wood
Height 1.00 m
Width 1.20 m
Damming height 0.22 m
Weight 27 kg

Order No. 5.20905 Water Flap
Height 0.43 m
Width 0.60 m
Damming height 0.16 m
Weight 17 kg

Order No. 5.20910 / 5.20915 Damming Wedge
Height of wedge 0.15 / 0.25 m
Width 0.42 m
Length of chain 0.30 m
Height of threshold 0.025 m
Damming height 0.10 / 0.20 m
Weight 3 kg

Components

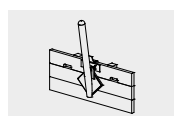
Order No. 5.20900 / 5.20905
1 Part each

Order No. 5.20910 / 5.20915
1 Damming Wedge
1 Guide Frame

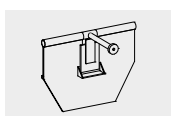
Installation information

Surfacing requirements
Recommendation:
surface of reinforced watercourse
Foundations depending on installation situation; the Dam of Wood is bricked in the channel and can be installed optionally in flow direction or against flow direction.

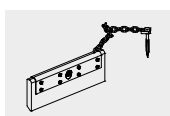
Attention:
Exact measurements may vary; for all installation dimensions refer to current assembly instructions.
Technical changes reserved.
For use in aggressive environments such as salt or chlorine water, the Order No. 5.20905 Water Flap and Order No. 5.20910 / 5.20915 Damming Wedge also available in marine grade steel (V4A).



5.20900



5.20905



5.20910 / 5.20915