

Play value

Flowing water ignites a child's world of fantasy in a whole range of ways. Direct contact with the wet element inspires the young spirit to ceaselessly explore and seek out as-yet-undiscovered secrets. By repeatedly touching a button, the device fills with water bit by bit, and, with a simple movement of the lever, can be channelled into the sloping level. There the water is transformed by flexible, projecting obstacles into an eddying flow before it collects in the attached shallow water basin.



Mobile Water Playground

Overflow installations prevent flooding of the immediate area. Two steel channels at the end of the basin make sure that the dammed water flows off in a targeted way.

Fundamental characteristics

- Mobile installation thanks to the "wheelbarrow" design
- Simple plug-in connection with garden hose
- Motivates group organisation
- Movement: fine motor skills

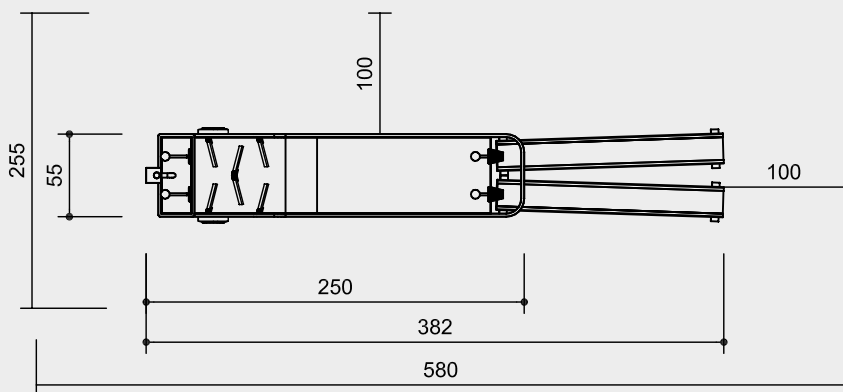
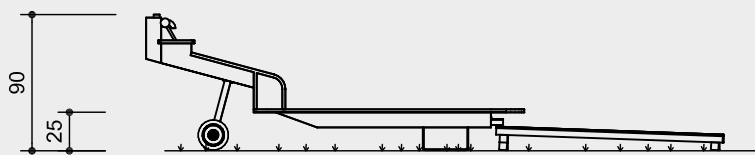
Recommended for

- Kindergarten children
- Supervised play areas, such as kindergartens, schools, after-school programmes or similar
- Water play areas with supervision



Order No. 5.21800
Mobile Water Playground

Safety distance →
 Device dimensions ●
 Functional distance —



Scale 1:50

Safety check according to DIN EN 1176

Components

- 1 Mobile water playground
- 2 Water outlet gutters

Installation information

Surfacing requirements
 Turf, topsoil, paving or similar with adequate drainage for water

The water playground is not stationary equipment and does not require foundations.

It can be connected to a commercially available garden hose on site. When the valve is actuated, the water flow is activated for 30 seconds. (+5 / -10 seconds adjustable).

The water outlet gutters are not fixed permanently to the main equipment. They can be run in parallel or at any desired angle.

Attention:
Exact measurements may vary; for all installation dimensions refer to current assembly instructions.
 Technical changes reserved.
For use in aggressive environments such as salt or chlorine water, the equipment is also available in marine grade steel (V4A).

Technical information

Equipment made of stainless steel, glass bead blasted

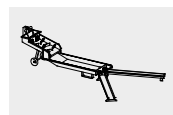
Rubber-tyred wheels

Flow obstacles made of rubber flaps

Dimensions

(small deviations possible)

Height	0.90 m
Length	2.50 m
Width	0.55 m
Gutter length	1.50 m
Weight	90 kg



5.21800