

Play value

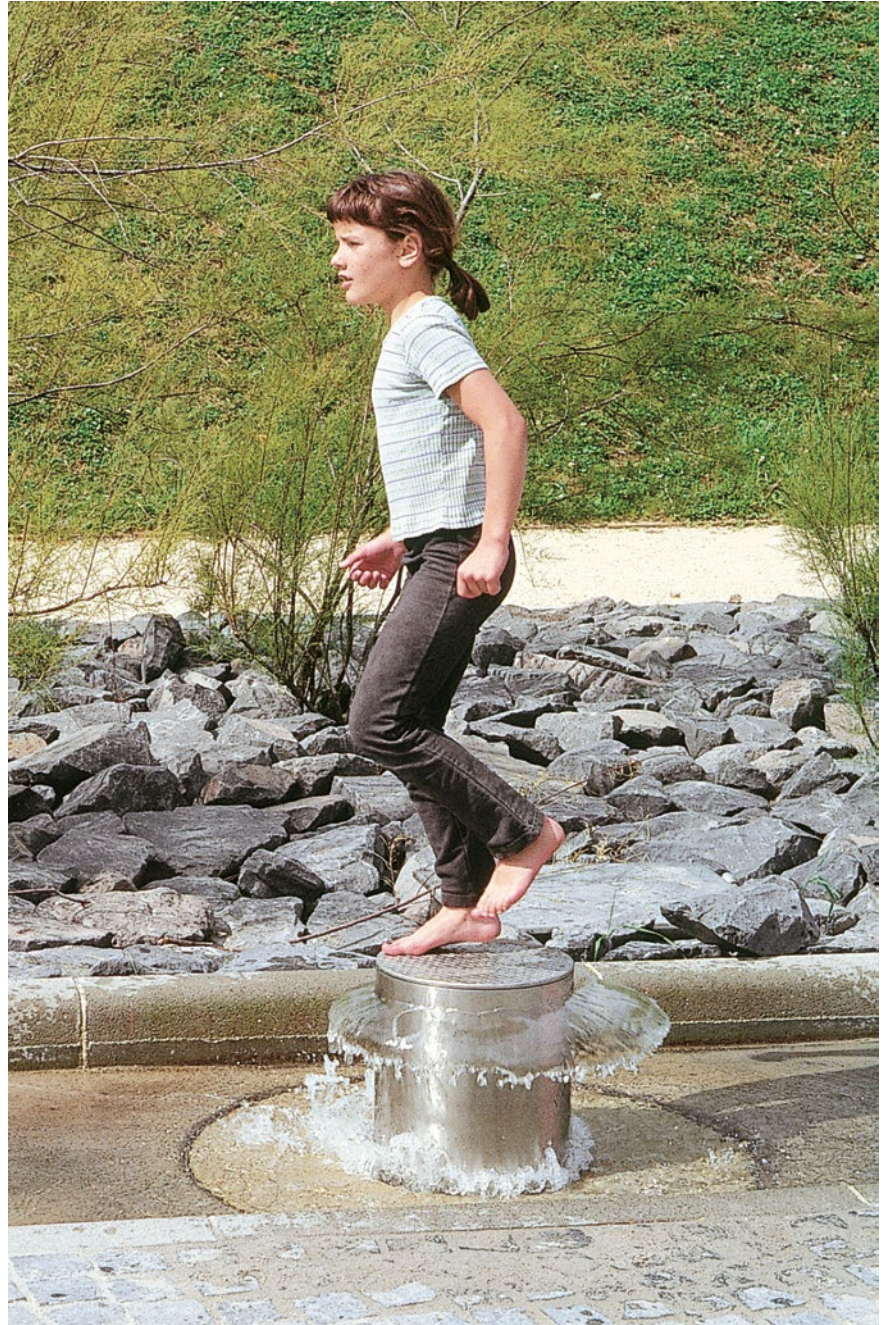
By standing, jumping up and down or shifting one's weight, water is coming out from the metal cylinder. When a certain balance is achieved, the water gets the shape of a „mushroom“. The opportunity of creating a nicely shaped, regular water cap by one's own movement is motivating and gives satisfaction. The Mushroom Hopper can also be used as water supply - as a kind of foot pump - for small currents of water which can be created for a short time by play.

Fundamental characteristics

- Combination of water supply and shaping of water
- Unique and original
- Incentive for playing: gleaming metal surface, curiosity
- Movement: jumping, shifting one's weight

Recommended for

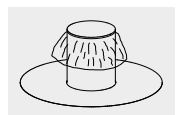
- School children
- Water play areas with and without supervision



Planning information




Individual solutions for the water supply must be devised, depending on the plans. Up-to-date details on the connection for the water supply and other technical information is available to download as a table at our website www.richter-spielgeraete.de.

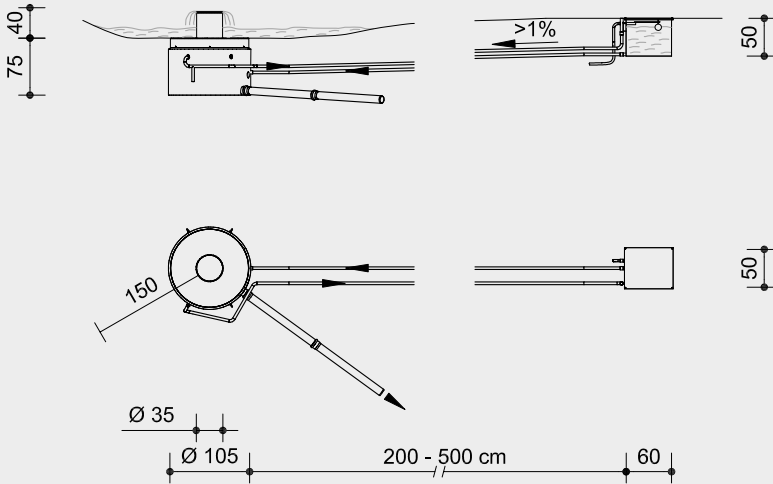
Mushroom Hopper



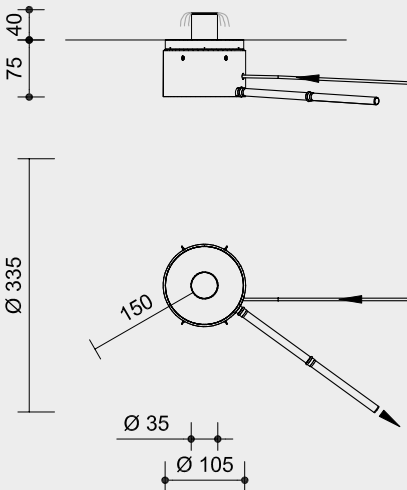
5.25500 / 5.25600

Order No. 5.25500
Mushroom Hopper
 for installation in water

Safety distance 
 Device dimensions 
 Functional distance 



Order No. 5.25600
Mushroom Hopper
 for installation in dry areas



Scale 1:100

Safety check according to DIN EN 1176

Components

Order No. 5.25500

- 1 Mushroom Pump pre-assembled in concrete shaft with lid
- 1 Winter lid made of stainless steel
- 1 Water reservoir

Order No. 5.25600

- 1 Mushroom Pump pre-assembled in concrete shaft with lid
- 1 Winter lid made of stainless steel

Installation information

Surfacing requirements corresponding to a fall height of ≤ 0.60 m (please refer to price list for more detailed information)
 Recommendation: reinforced surface or water tight surface, no sand, no gravel

Foundations
 Excavation depth for concrete well $\varnothing 1.50$ m, depth 0.60 / 0.75 m

During sub zero conditions the part with the pump cylinder must be dismantled and removed. Also included in the components is a lid with which the shaft is sealed during the frosty season.

Technical information

Cylinder made of stainless steel, glass bead blasted

Standing plate made of embossed sheet with circular opening

Shaft made of concrete C40/50
 Lid made of reinforced concrete C40/50 with rubber seal
 Winter lid made of stainless steel

Water reservoir made of stainless steel, glass bead blasted

Connection to the pressure line max. 6 bar, connection thread 1 inch outside (we recommend a compression proof diameter 3/4 inch), water requirement approx. 40 l/min

Order No. 5.25500
Mushroom Hopper for installation in water

The concrete well contains: suction pump with footplate, drainage connection and a connection for the air escape tube.

Water supply through a 1 1/2 inch PE-tube from a slightly raised water reservoir with floating valve the water reservoir is outside the water basin. Parallel to the water supply there must be installed an exhaust pipe for pressure compensation.

Order No. 5.25600
Mushroom Hopper for installation in dry areas

The storage container is integrated in the shaft. The other parts are identical in construction.

Dimensions

(small deviations possible)

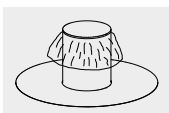
Order No. 5.25500
Mushroom Hopper for installation in water

Standing plate	
Diameter	0.35 m
Height	0.40 m
Concrete shaft	
Diameter	1.10 m
Height	0.75 m = installation depth
Water reservoir with floating valve	
Length	0.60 m
Width	0.50 m
Depth	0.50 m
Total weight	800 kg

Order No. 5.25600
Mushroom Hopper for installation in dry areas

Standing plate	
Diameter	0.35 m
Height	0.40 m
Concrete shaft	
Diameter	1.10 m
Height	0.75 m = installation depth
Total weight	800 kg

Attention: Exact measurements may vary; for all installation dimensions refer to current assembly instructions. Technical changes reserved. **For use in aggressive environments such as salt or chlorine water, the equipment is also available in marine grade steel (V4A).**



5.25500 / 5.25600