

**Play value**

Even small children can operate our lever pump and convey water. The pump resistance as well as the flow rate per stroke can be varied. The design and easy operation make it very suitable for children. Hydraulic oil is pumped in an enclosed circuit. The degree of pumping difficulty can be adjusted to a child's strength. The flowing hydraulic oil opens the water valve for a short period of time and then automatically – can also be adjusted – closes again. The water is of drinking quality up until the water leaves the valve; there is no residual water left in the pump.

**Recommended for**

- Kindergarten children
- Supervised play areas, such as kindergartens, schools, after-school programmes or similar
- Public play areas without supervision, such as playgrounds, parks or similar
- Water play areas without supervision

**Barrier-free**

- Independent play



Photo © Paul Upward

**Planning information**

The length of the run-out tube can be changed against surcharge.

Individual solutions for the water supply must be devised, depending on the plans. Up-to-date details on the connection for the water supply and other technical information is available to download as a table at our website [www.richter-spielgeraete.de](http://www.richter-spielgeraete.de).

**Lever Pump  
Foundation Anchor**

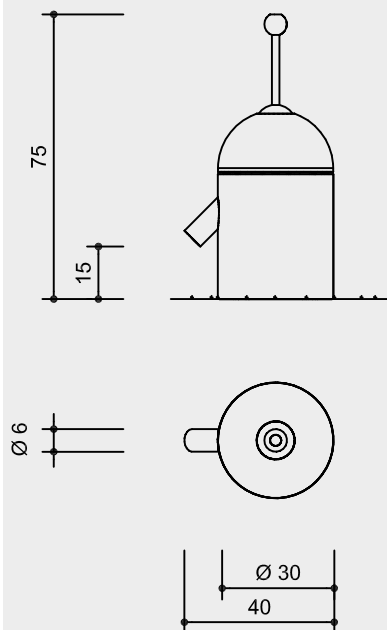


5.28000 / 5.28002

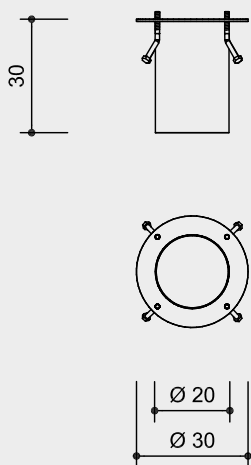


5.28003

**Order No. 5.28000 / 5.28002  
Lever Pump**



**Order No. 5.28003  
Foundation Anchor**



Safety distance →  
Device dimensions —●—  
Functional distance —|—

Scale 1:20

**Technical information**

Equipment made of stainless steel, glass bead blasted

**Ground anchor**

All parts used for anchoring to the ground are made of hot-dip galvanised steel or stainless steel



**Roller bearings**

High-quality roller bearings made of chrome steel or stainless steel for rotating elements, easy to maintain and exchange, sealed



**For more detailed explanation of the quality characteristics see price list.**

The ball head is made of impact-resistant, coloured-through, PUR plastic, black

Enclosed pump with water valve for direct connection to mains water (2.5 - 6 bar), connection thread 1 inch inside (we recommend a compression proof diameter 3/4 inch), water requirement approx. 80l/min

Pump capacity and pump swipe resistance infinitely adjustable, up to 80 l per minute

Pump swipe position rules out risk of jamming

Safety check according to DIN EN 1176

**Components**

**Order No. 5.28000 / 5.28002  
Lever Pump**

- 1 Lever Pump
- Patent**  
10 2012 000 359 Germany
- Registered Design**  
40 2020 202 219.9 Germany
- 1 Winter Lid made of stainless steel (Order No. 5.28001)

**Order No. 5.28003  
Foundation Anchor**

- 1 Foundation Anchor

**Installation information**

Surfacing requirements  
Recommendation: paving stone or similar with gully. The lever pump is designed for installation on natural stone, pedestal or similar.

During the period of frost, the pump mechanism must be removed. To remove the mechanism, the control line can be disconnected using a quick-release coupling.

**Foundation Anchor,** see Order No. 5.28003 (not included in the components of the pump).

Foundations  
1 item 50 x 50 x 40 cm  
Excavation depth 40 cm

**Attention:**  
**Exact measurements may vary, for all installation dimensions refer to current installation instructions.**  
Technical changes reserved.  
**For use in aggressive environments such as salt or chlorine water, the equipment is also available in marine grade steel (V4A).**

**Order No. 5.28002**

General pump specification as Order No. 5.28000, but in addition with programmable rinsing device for direct connection to pressure line. Powered by an internal battery.

**Order No. 5.28003  
Foundation Anchor**

Made of galvanised steel (not included in the components of the pump)

**Dimensions**  
(small deviations possible)

**Order No. 5.28000 / 5.28002  
Lever Pump**

Height	0.75 m
Width	0.40 m
Diameter	0.30 m
Run-out tube diameter	0.06 m
Weight	45 kg

**Order No. 5.28001  
Winter Lid**

Diameter	0.292 m
Weight	1.30 kg

**Order No. 5.28003  
Foundation Anchor**

Height	0.30 m
Diameter	0.30 m
Weight	8 kg



5.28000 / 5.28002



5.28003