



Play value

The Rocker is especially fun when several children set it in motion by moving around on it. The centre pole is ideal for holding on to and enjoying the fun even when the rocker is dipping sharply, because the weights are unevenly placed. The small platform is fastened to the foundation by three springs and is very durable.



Fundamental characteristics

- Incentive for playing: round wooden surface, pole for holding on, springs
- Movement: bouncing, shaking, wobbling, moving one's centre of gravity

Recommended for


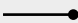
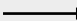
- Kindergarten children
- School children
- Supervised play areas, such as kindergartens, schools, after-school programmes or similar
- Public play areas without supervision, such as playgrounds, parks or similar
- Swimming pools without supervision, such as outdoor pools, adventure pools or similar

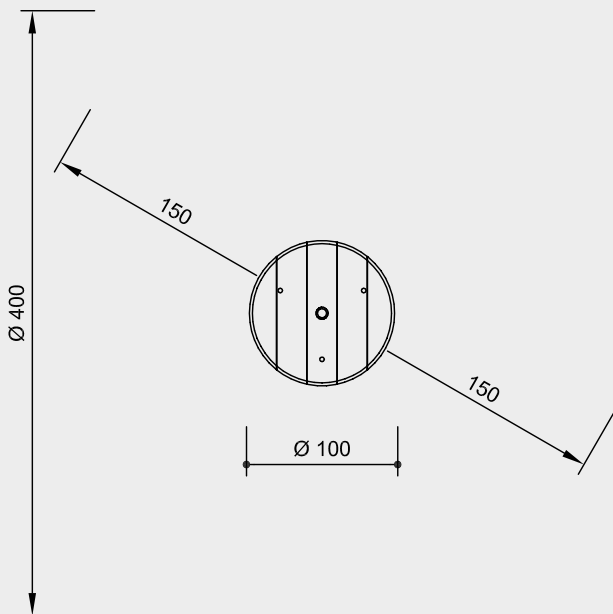
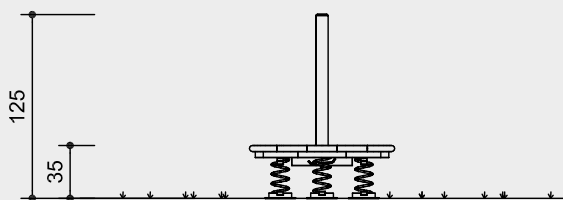
Rocker



6.04000

Order No. 6.04000
Rocker

Safety distance 
Device dimensions 
Functional distance 



Scale 1:50

Safety check according to DIN EN 1176

Components

- 1 Rocker complete with 3 springs
- 1 Foundation frame

Installation information

Surfacing requirements corresponding to a fall height of ≤ 0.60 m (please refer to price list for more detailed information)

Foundations
1 item $\varnothing 80$ cm x 30 cm
Excavation depth 40 cm

Attention:
Exact measurements may vary;
for all installation dimensions refer
to current assembly instructions.
Technical changes reserved.

Technical information

Equipment made of non-impregnated mountain larch

Core-free

Sawn-timbers core-free, thus decreasing occurrences of cracking and undesired changes in shape



Ground anchor

All parts used for anchoring to the ground are made of hot-dip galvanised steel or stainless steel



For more detailed explanation of the quality characteristics see price list.

Plate of 45 mm thick boards, screwed together with expansion joints

Fastening elements hot-dip galvanised

Coated springs,
standard colour red

Dimensions

(small deviations possible)

Height, total	1.25 m
Height, plate	0.35 m
Plate diameter	1.00 m
Round pole diameter	80 mm
Weight	60 kg



6.04000