

# Instructions for wear checks of play equipment

The equipment must be checked for correct operation and safety, especially the points listed below:

Proof of maintenance

Playground .....

Date of installation .....

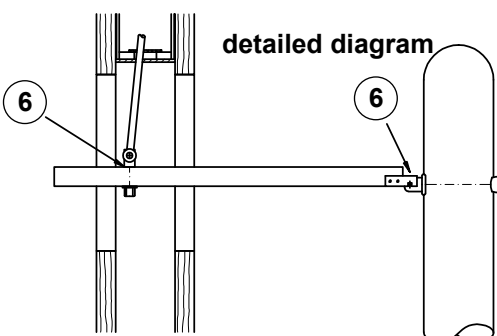
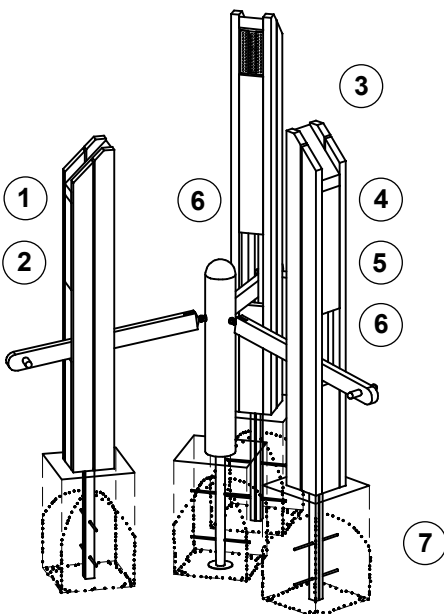
Checks depend on the type of equipment. Any equipment with moving parts must be checked at least twice a year, static equipment at least once a year.

Intervals for maintenance work and checks generally depend on

- location
- kind of use
- frequency of use
- possible vandalism

For more details see also "General instructions for maintenance of playgrounds".

**Wind Pumps**  
Order No. 9.02500



## Wooden parts

1. Check for rot and, if necessary, smooth out splinters and round off sharp edges of cracks.
2. Check that all bolts and screws are tight and retighten if necessary.
3. **Recommendation:** apply paraffin wax to the upper end grain areas once a year, please refer to Order No. 0.90100, 1 litre.

## Sound elements

4. Check that the piston and piston rod moves smoothly and check for wear and tear; replace if necessary (to do this screw off the side piece with the Richter plate).
5. Check the tone and, in the case of discord, clean the pipes or the pistons (see point 3).

## Pump levers

6. Check that the joints for the piston rod or respectively the middle column are securely connected and, if necessary, retighten (see detailed diagram).

## Structural stability

7. In order to check for corrosion, uncover the foundation once a year.

Repair not carried out, it is still possible to play on equipment

Repair not carried out, equipment is taken out of action

All work carried out, everything is in order

Maintenance carried out by:

..... Date .....

Special notes, e.g. for repairs