



Order No. 9.02652 Sea Roarer free-standing

**Play value**

The play possibilities of **Sea Roarer** are not apparent until the user steps onto the stainless steel platform and discovers the pivotally rotating movements it allows. These movements are fun, and increased play value is achieved when users interact with each other. Gradually the players become conscious of a special sound. Concentration turns more and more to listening and exploring how the movement controls the sound – they discover the roar of the sea. Below the surface are many little balls, which move when the position of the standing plate is changed. The balls roll over a membrane producing a sound which is similar to that of the sea rolling in and out of the shore. The senses of balance and hearing are both challenged and stimulated, heightening the awareness of the senses through play activity.

Another exciting acoustic phenomenon can be experienced with our **piper**. Two sound tubes together make up a set. One serves as a pump while the other determines the pitch of the tone. The movable metal rod is used to draw air upwards into the sound element and to push it downwards. The second sound element then simultaneously generates a piping sound. Different chord progressions can be generated depending on the speed of the pump and how the tone pitch is controlled.

**Fundamental characteristics**

- Unique and original
- High-quality design appeals to the senses
- Incentive for playing: appealing design, curiosity
- Movement: balancing, experiencing one's whole body



Order No. 9.02650 Sea Roarer

**Recommended for**

- School children
- Young people
- Supervised play areas, such as kindergartens, schools, after-school programmes or similar
- Public play areas without supervision, such as playgrounds, parks or similar

**Barrier-free**

- Special exercise experience
- Independent play (piper)



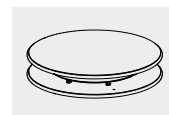
Order No 9.02660 Piper

**Planning information**

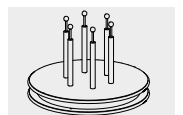
The gentle sounds of Sea Roarer are best enjoyed in a quiet environment.

Acoustic effect	Sea Roarer: soft Piper: strong
Vandalism	not vulnerable

**Sea Roarer  
Sea Roarer free-standing  
Piper**


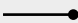
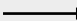


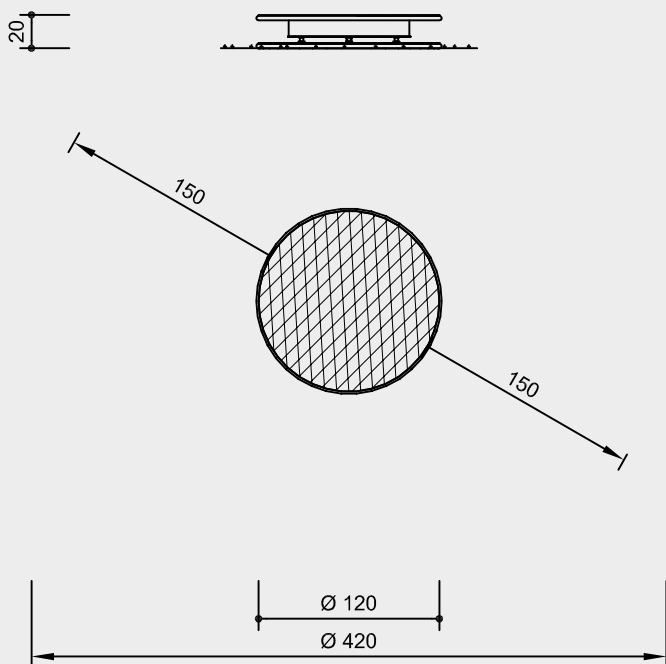
9.02650 / 9.02652



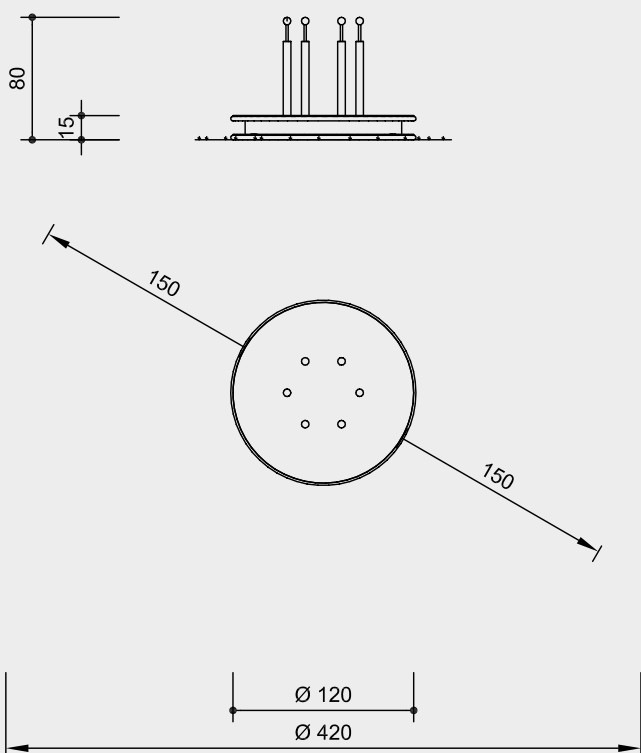
9.02660

**Order No. 9.02650 / 9.02652**  
**Sea Roarer**

Safety distance   
 Device dimensions   
 Functional distance 

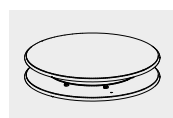


**Order No. 9.02660**  
**Piper**

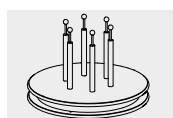


Scale 1:50

Safety check according to DIN EN 1176



9.02650 / 9.02652



9.02660

**Technical information**

Equipment entirely made of stainless steel, glass bead blasted, with sound elements

**Ground anchor**

All parts used for anchoring to the ground are made of hot-dip galvanised steel or stainless steel



**For more detailed explanation of the quality characteristics see price list.**

**Order No. 9.02652**

**Sea Roarer free-standing**

Rubber buffer made of hard rubber abrasion-resistant

**Order No. 9.02660**

**Piper**

Pipes made of phenolic resin, different colour pairs  
 Pistons and piston guides made of high-quality brass

**Dimensions**

(small deviations possible)

**Order No. 9.02650 / 9.02652**

**Sea Roarer**

Height	0.20 m
Diameter	1.20 m
Weight	130 / 120 kg

**Order No. 9.02660**

**Piper**

Height	0.15 m
Height incl. pipes	0.80 m
Diameter	1.20 m
Weight	70 kg

**Components**

**Order No. 9.02650**

**Sea Roarer**

- 1 Piece of equipment
- 3 Foundation irons

**Order No. 9.02652**

**Sea Roarer free-standing**

- 1 Piece of equipment
- 6 Rubber buffers

**Order No. 9.02660**

**Piper**

- 1 Piece of equipment
- 3 Foundation irons

**Installation information**

Surfacing requirements corresponding to a fall height of ≤ 0.60 m (please refer to price list for more detailed information)

**Foundations**

**Order No. 9.02650 / 9.02660**

3 items 40 x 40 x 35 cm  
 Excavation depth 40 cm

**Attention:**

**Exact measurements may vary; for all installation dimensions refer to current assembly instructions.**

Technical changes reserved.