

Play value

The Building Site is one of our “work” play offers and provides children with the opportunity to realistically mimic the working world of adults. Heavy loads can be moved using rollers, sand or gravel can be tipped into channels and tubes, a bucket wheel turns around and, depending on the model, a tipper tray also fills up. Carrying out a joint undertaking fosters creative cooperation. The structure should be installed in a bed of sand or gravel. This will allow the element of earth to be ideally incorporated into the play activity.

Fundamental characteristics

- Child-oriented dimensions according to ergonomic knowledge
- Naturally shaped de-barked posts
- Appealing to the senses with its space-defining design
- High-quality design
- Numerous play offers
- Sturdy tongue and groove floor allows for large play space below the platform
- High play value with low space requirement
- Can be combined with other equipment
- Incentive for playing: sand hoists, sand wheel, chains
- Movement: physical exertion, climbing



Photo © Barbara Evripidou



Photo © Barbara Evripidou



Order No. L5.01010 Building Site larch version, Photo © Barbara Evripidou



Photo © Barbara Evripidou

Recommended for

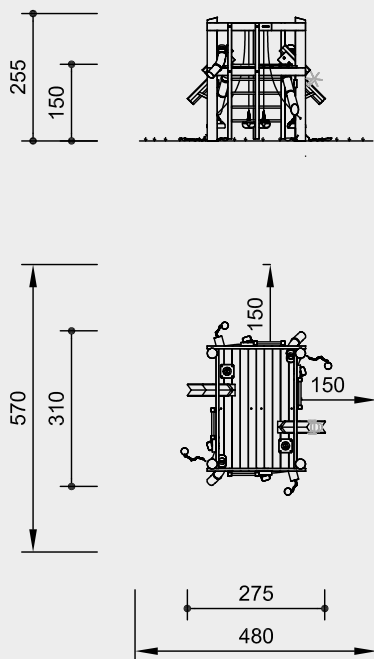
- Kindergarten children
- School children
- Supervised play areas, such as kindergartens, schools, after-school programmes or similar
- Public play areas without supervision, such as playgrounds, parks or similar

Building Site



Order No. L5.01010
Building Site

Safety distance →
Device dimensions ●
Functional distance —



Scale 1:150

Safety check according to DIN EN 1176

Components

- 1 Platform with steel feet
- 4 Ladders
- 4 Sand hoists with 4 shovels and chain
- 2 Sand pipes below
- 2 Curved Sand pipes
- 2 Sand chutes, 2 levels
- 1 Sand wheel

Installation information

Surfacing requirements corresponding to a fall height of ≤ 1.50 m (please refer to price list for more detailed information)

Sand is required for correct functioning.

Foundations
4 items 60 x 60 x 60 cm
Excavation depth 80 cm

Attention:
Exact measurements may vary;
for all installation dimensions refer
to current assembly instructions.
Technical changes reserved.

Technical information

Equipment made of non-impregnated mountain larch

Peeled white

Palisades peeled white means that bark, cambium and sapwood are removed, the natural shape of the trunk is preserved and can be experienced



Bevel cut

Vertical stand posts with bevelled end grain section as constructive wood preservation measure



Core-free

Sawn-timbers core-free, thus decreasing occurrences of cracking and undesired changes in shape



Tongue and groove

Tongue and groove planks made of 4 cm solid wood, highly resilient, no trickling of dust / sand, protection against direct rain



Hardwood rungs

Climbing rungs made of hardwood (ash) $\varnothing 4.2$ cm, milled and mortised, secured against twisting, easy to grip and not cold for children to touch



Plywood

Plywood made of mountain larch, thickness ≥ 3 cm. High dimensional stability. Weatherproof glued according to DIN EN 13353:2011



Ground anchor

All parts used for anchoring to the ground are made of hot-dip galvanized steel or stainless steel



Chains

Chains made of hot-dip galvanized steel (1.4571 at extra charge) welded before galvanising, short-linked, without eyelets on the connecting parts, easy to exchange and shorten



For more detailed explanation of the quality characteristics see price list.

Sand pipes made of plastic, wall thickness approx. 7 mm

Sand container made of textile-reinforced rubber belt, 8 mm thick

Sand wheel hot-dip galvanized

Dimensions

(small deviations possible)

Height	2.55 m
Platform height	1.50 m
Platform floor	1.60 x 2.50 m
Length	3.10 m
Width	2.75 m
Weight	700 kg



L5.01010